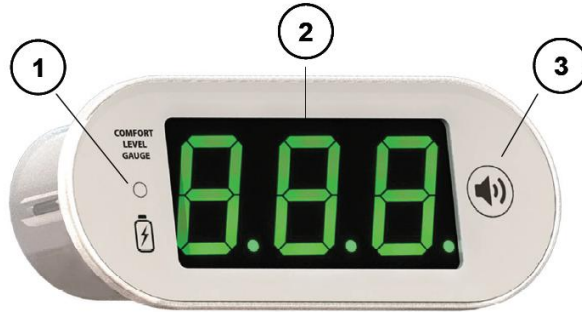


USER'S MANUAL



Temperature Sensor Operating Instructions



Understanding the Unit

1	Low Battery Indicator	LED OFF: Battery level normal
		LED RED: Battery should be replaced
2	Temperature Display	SCREEN OFF: Unit is in "Idle" mode
		SCREEN ON & Solid: Temperature in °F or Error Information
		SCREEN ON & Flashing: Temperature is outside of the "Safe Range"
3	Audible Alarm Switch	LED OFF & Temperature Display OFF: Unit is in "Idle" mode
		LED OFF & Temperature Display ON: Temperature is in the "Safe Range" or Audible Alarm is Disabled*
		LED ON & Temperature Display ON: Temperature is outside of the "Safe Range" *

*If the Audible Alarm is triggered, pressing the Audible Alarm Switch (3) will toggle the audible Alarm but the Temperature Display (2) will continue to flash.

Turning the Unit ON

1. The unit will automatically turn on as the water is filling the tub. The unit may take up to 1 minute to acknowledge the presence of water in the tub.
2. The unit can be manually turned on by pressing the Audible Alarm Switch. This action will immediately turn the unit on.

Turning the Unit OFF

1. The unit will automatically turn off after the temperature in tub has remained in the "Safe Range" for 1 hour.

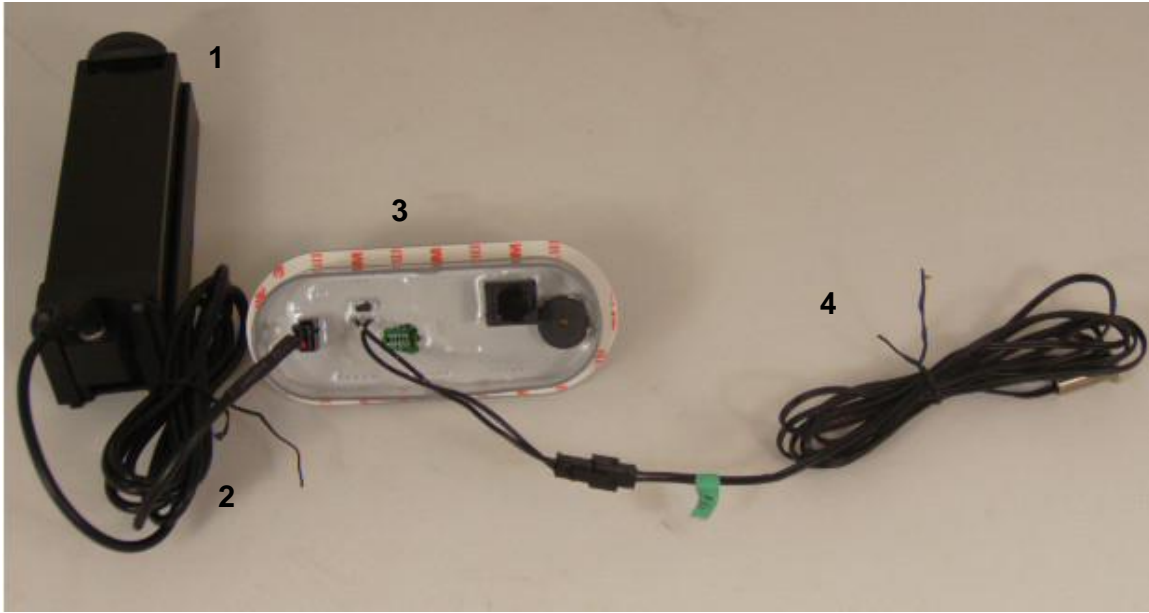
Error Codes

E1	Temperature Probe is not connected to the head unit
LO	Temperature is below 50 °F
HI	Temperature is above 140 °F

USER'S MANUAL



Temperature Sensor Operating Instructions



Connection Diagram

	Item Description	Connection Sites
1	Battery Enclosure	Metallic Female Audio Jack
2	Power Cable	Metallic Male Audio Jack
		Keyed Rectangular Male Power Receptacle
3	Display Unit	Keyed Rectangular Female Power Receptacle
		Detached Square Male Temperature Probe Adapter
4	Temperature Probe	Square Female Temperature Probe Adapter

Connecting the Unit

1. First place to D-Cell Batteries in the Battery Enclosure and securely lock it back into place.
2. Connect the Power Cable to the Battery Enclosure via the Metallic Audio Jack
3. Connect the other end of the Power Cable to the Display Unit
4. Connect the Temperature Probe to the Display Unit via the Square Plastic Adapter

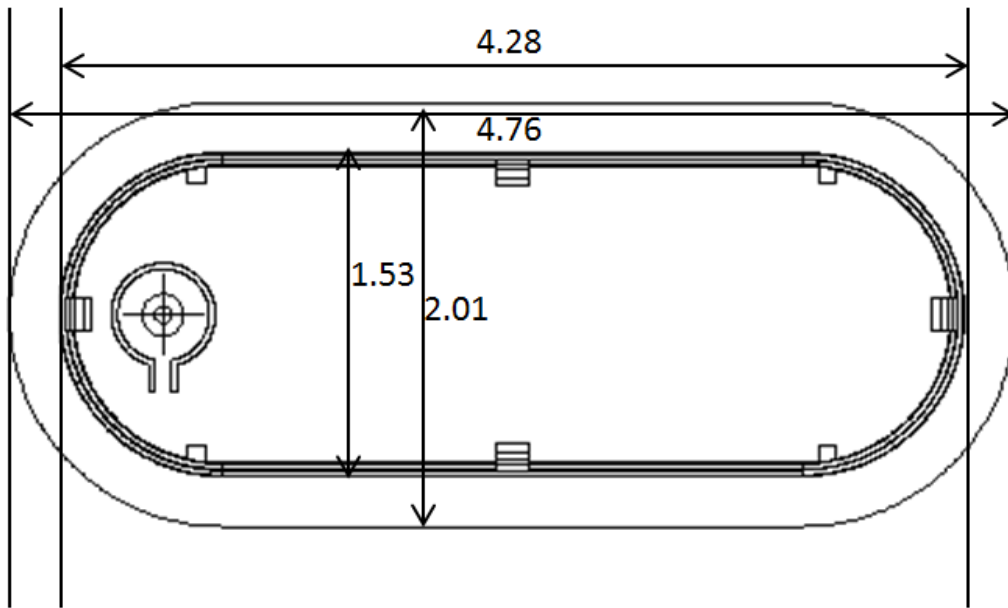
The Unit should now be reading the ambient temperature, after one hour the unit will enter Idle Mode

USER'S MANUAL



Temperature Sensor Operating Instructions

2D Cutout Drawing
(Dimensions in inches)



THANK YOU FOR BUYING LURACO TECHNOLOGIES' PRODUCTS

LURACO TECHNOLOGIES, INC.

1132 107TH STREET, ARLINGTON, TX 76011

TEL: +1-817-633-1080, FAX: +1-817-633-1085

WWW.LURACO.COM