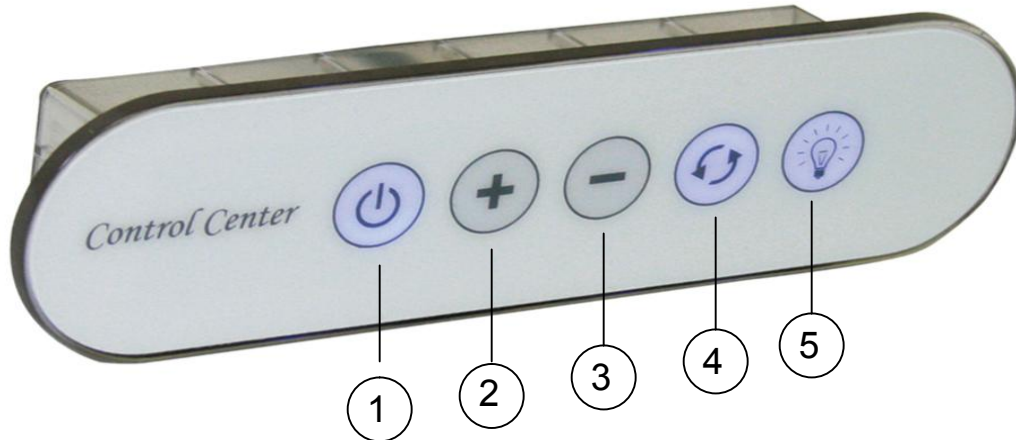




**5-Button Control Keypad for VSC/BSC**

(Model: L1004B-KP-V1)



**Understanding the Unit**

1	Power button	1 <sup>st</sup> press: Pump ON, Light ON, LED ON
		2 <sup>nd</sup> press: Pump OFF, Light OFF, LED OFF
2	Speed + button	Speed goes up. Max. speed level is 10.
3	Speed – button	Speed goes down. Min. speed level is 1.
4	Pulse mode button	1 <sup>st</sup> press: Pulse mode ON, LED ON
		2 <sup>nd</sup> press: Pulse mode OFF, LED OFF
5	Light button	1 <sup>st</sup> press: Light ON, LED ON
		2 <sup>nd</sup> press: Light OFF, LED OFF

**Features:**

1. By default, the pump speed level is set to 10. When the pump is turned OFF, the speed level during the time of turning OFF is saved.
2. When the pump is turned ON, the pump speed is softly ramped up to maximum speed in about 5 seconds, and then the pump speed goes back to saved speed level/ default level. During the 5 second soft ramp up, the 'Speed+', 'Speed-' and 'Pulse' mode button are disabled.
3. The unit has 20 minute in-built timer. So the unit will shut down after 20 minutes of operation and save the speed level for next cycle use.

**Note:**

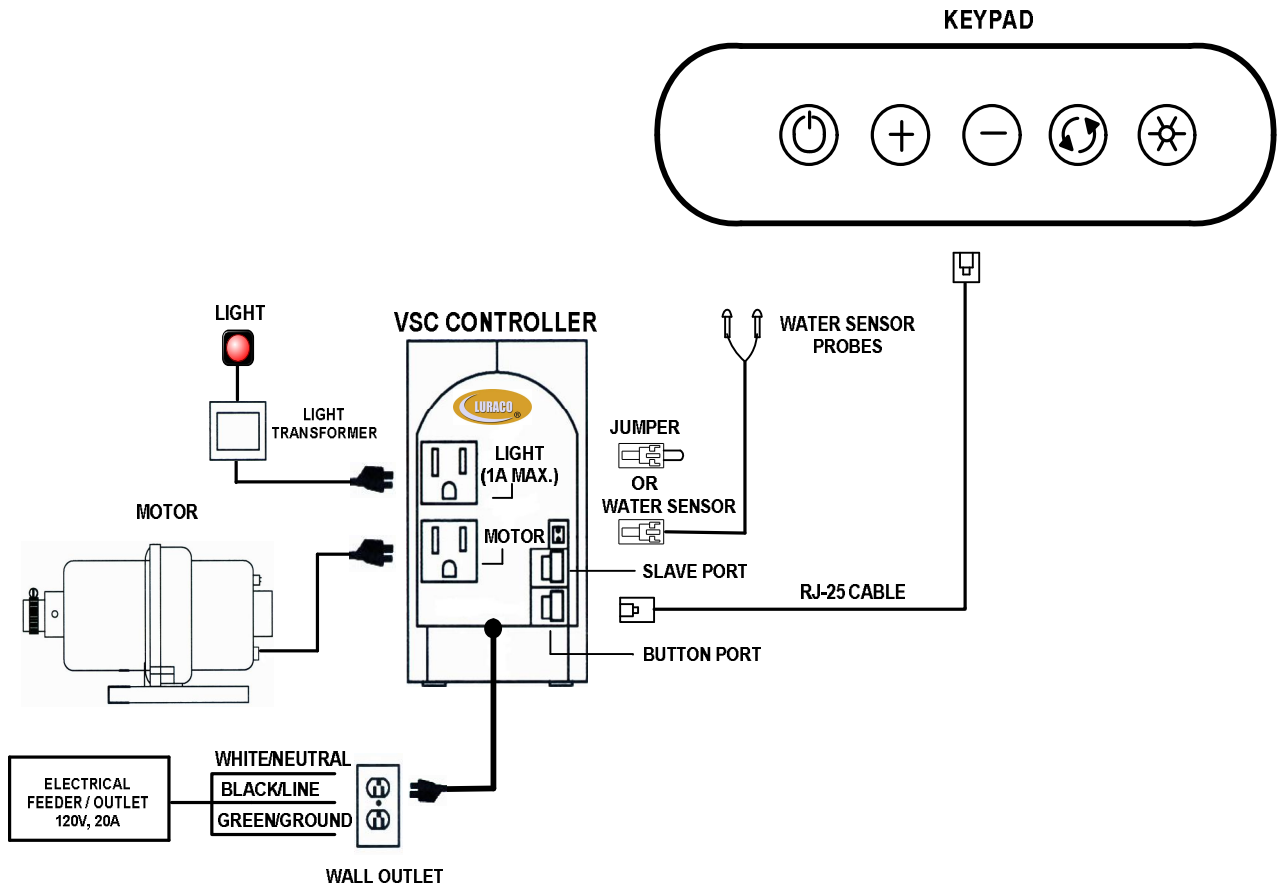
Make sure that the water level sensor or a jumper is connected to VSC box. Otherwise, the unit will not turn on.

## Error Codes

The power button LED has special lighting pattern to determine and debug possible error conditions. They are as follows:

Intermittent Fast LED blink	There is a connection problem between VSC/BSC to keypad. Try reconnecting the cable and reset the power on VSC/BSC.
Slow LED blink	The water in the tub below the water level sensor. The unit will not turn on because the water level sensor is detecting no water in tub. If water level sensor is not used, a jumper should be connected at water sensor port of VSC/BSC.
Continuous Fast LED blink	The unit shuts down due to over-heating. Check the fan connection in the VSC unit.

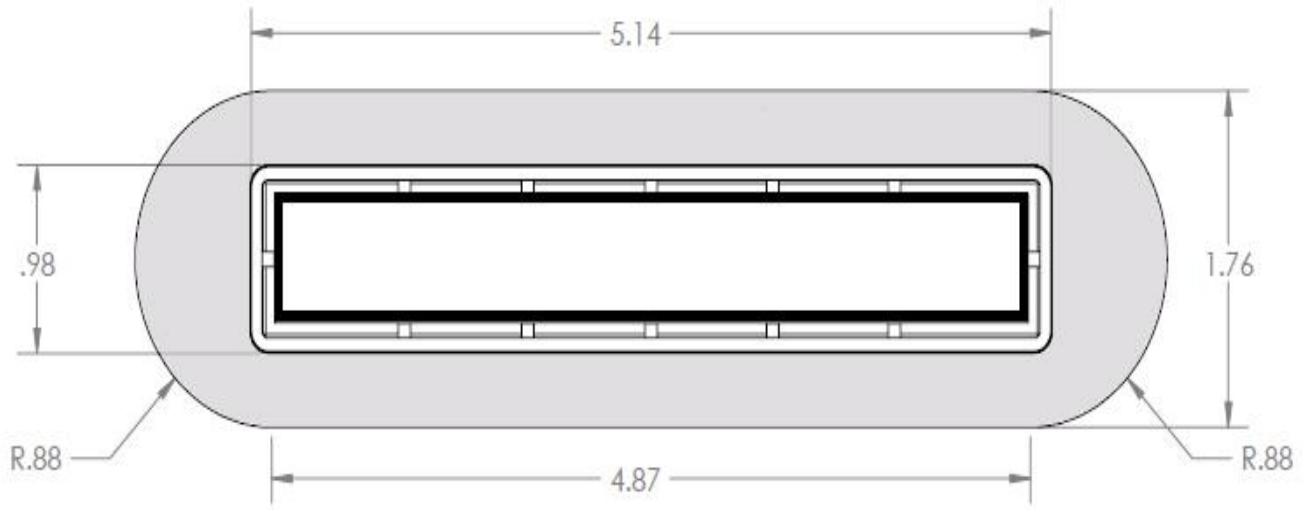
## Understanding the Setup



### Steps to Follow

1. Connect keypad to VSC/BSC using RJ25 cable.
2. Make sure that the water level sensor/ jumper is connected on the sensor port of VSC/BSC.
3. Connect Pump to the 'Pump outlet' and Light to the 'Light outlet' of the VSC/BSC.
4. Connect power cable to the power outlet and turn on the unit using power button on keypad.

### 2D Drawing



Backside view of keypad (All dimensions in inch)

**THANK YOU FOR BUYING LURACO TECHNOLOGIES' PRODUCTS**

LURACO TECHNOLOGIES, INC.

1132 107<sup>TH</sup> STREET, ARLINGTON, TX 76011

TEL: +1-817-633-1080, FAX: +1-817-633-1085

[WWW.LURACO.COM](http://WWW.LURACO.COM)

